

Bowman Inline Plate Heat Exchangers

Proven, effective, trusted

Bowman Inline Plate Heat Exchangers are a compact, economical way to achieve high efficiency heat transfer for a range of applications.

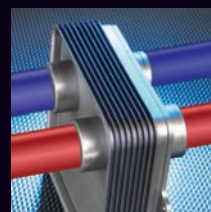
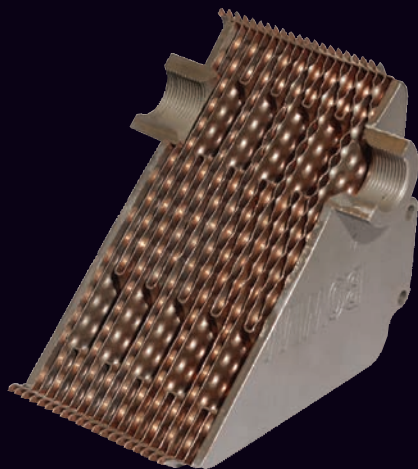
Bowman in-line plate heat exchangers are made up of numerous stainless steel heat transfer plates, plus two outer covers and four connections which are vacuum-brazed together to form an integral unit.

Easier to install

Unlike other plate heat exchangers, Bowman units have a uniquely designed flow arrangement which enables the inlet and outlet connections to be axially inline. This means they can be installed directly into pipework without any change of direction.

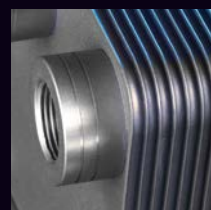
Choice of brazing solutions

Whilst the plates of the standard product range are copper brazed, for more demanding or aggressive applications, a full 316 stainless steel unit is available.



Easy in-line installation

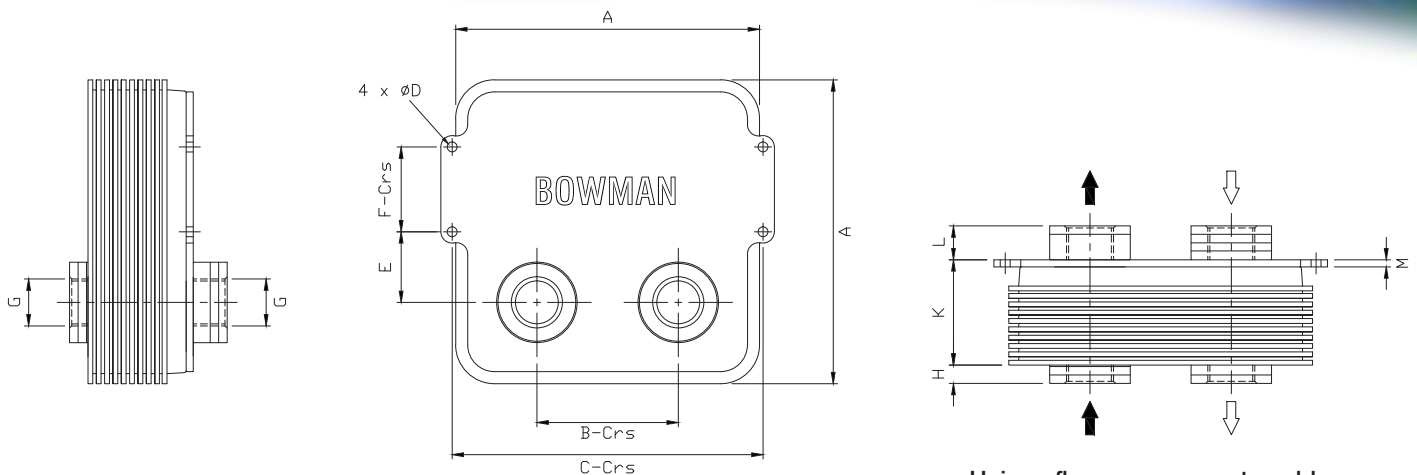
With both inlet and outlet ports situated adjacent to each other, the unit fits simply and neatly into the existing fluid stream, reducing installation costs and eliminating unsightly additional pipe work.



High quality construction

Neat, compact construction, manufactured to Bowman's renowned high standards using high quality 316 stainless steel.

BOWMAN[®]



Unique flow arrangement enables Inlet & Outlet flow to be inline without any change of flow direction.

Dimensions & Technical Specifications

Type	Dimensions & Technical Specifications											Weight	Volume Per Side
	A mm	B mm	C mm	D mm	E mm	F mm	G mm	H mm	K mm	L mm	M mm		
10-5	106	50	-	-	25	-	1/2"	11	24	16	3	0.8	0.05
10-9	106	50	-	-	25	-	1/2"	11	37	16	3	0.9	0.11
10-13	106	50	-	-	25	-	1/2"	11	50	16	3	1.1	0.16
10-17	106	50	-	-	25	-	1/2"	11	63	16	3	1.2	0.21
10-21	106	50	-	-	25	-	1/2"	11	76	16	3	1.3	0.26
10-29	106	50	-	-	25	-	1/2"	11	103	16	3	2.0	0.37
15-5	159	75	165	7	37.5	45	3/4"	12	34	20	4	2.5	0.18
15-9	159	75	165	7	37.5	45	3/4"	12	54	20	4	2.9	0.36
15-13	159	75	165	7	37.5	45	3/4"	12	74	20	4	3.3	0.55
15-17	159	75	165	7	37.5	45	3/4"	12	94	20	4	3.7	0.72
15-21	159	75	165	7	37.5	45	3/4"	12	112	20	4	4.1	0.90
15-29	159	75	165	7	37.5	45	3/4"	12	152	20	4	5.0	1.27
20-5	212	100	220	7	50	60	1"	12	45	24	5	5.4	0.44
20-9	212	100	220	7	50	60	1"	12	71	24	5	6.1	0.88
20-13	212	100	220	7	50	60	1"	12	97	24	5	6.8	1.32
20-17	212	100	220	7	50	60	1"	12	123	24	5	7.6	1.76
20-21	212	100	220	7	50	60	1"	12	149	24	5	8.4	2.20
20-29	212	100	220	7	50	60	1"	12	201	24	5	10.2	3.08
25-29	265	125	275	9	62.5	75	1 1/4"	15	249	28	6	18.8	6.02

Maximum working pressure 6 bar
Maximum working temperature 185°C



www.ejbowman.co.uk



BS EN ISO 9001-2008
Reg. No. FM38224